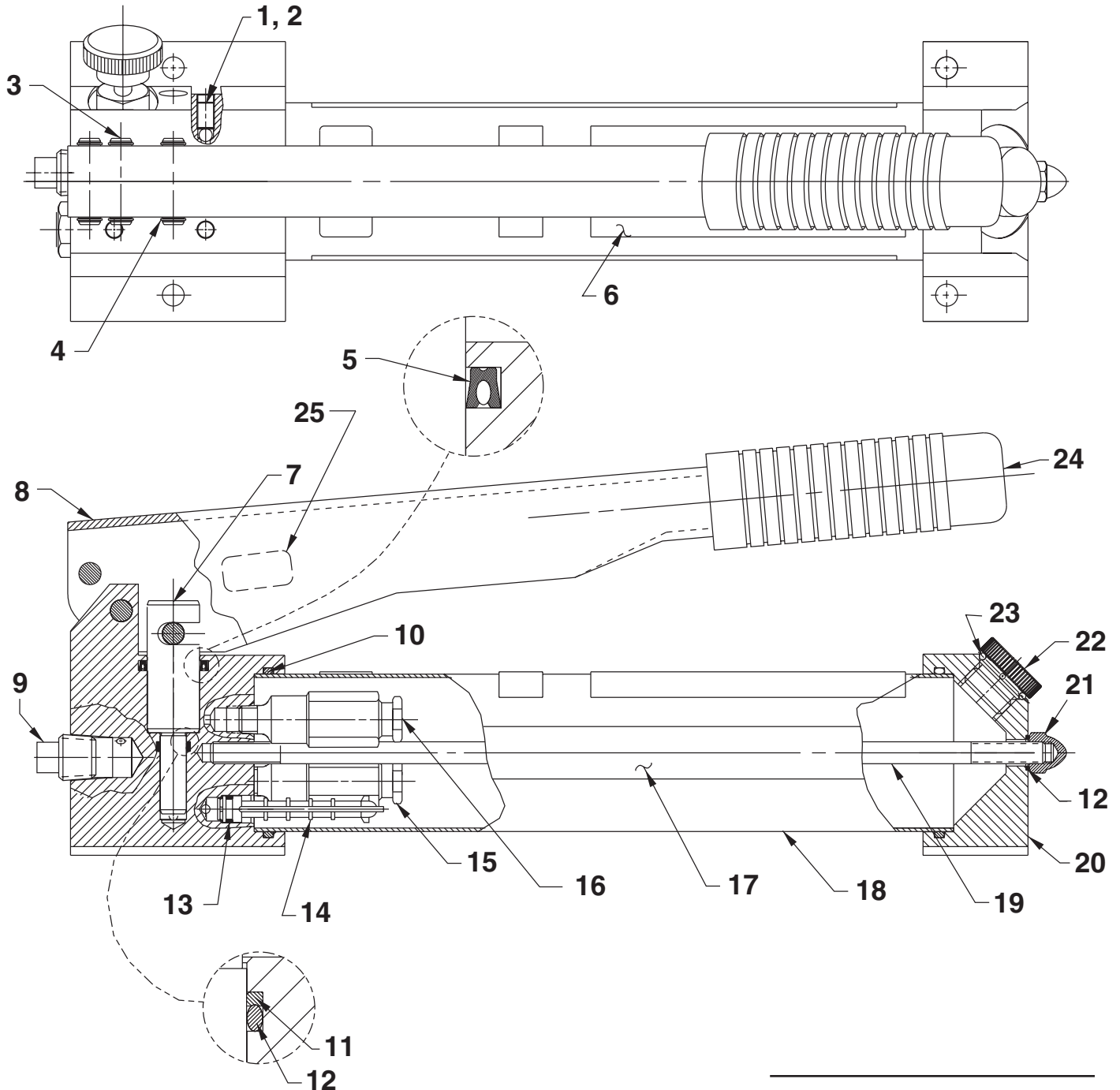


Parts List for:

P19	P19-CMS
P19-1200	P19-FUTURE
P19-CABLE	P19-PFAFF
	P19-WHITE

TWO-SPEED HYDRAULIC HAND PUMP

Max. Capacity: 10,000 PSI



Note: Shaded areas reflect last revision(s) made to this form.

Sheet No. 1 of 2

Rev. 9 Date: 18 Sept. 2000

Parts List, Form No. 101640, Back sheet 1 of 2

Item No.	Part No.	No. Req'd	Description
1	12223	3	Ball (3/16 Dia.)
2	10519	3	Set Screw (1/4-20 UNC X 3/8 Lg.; Torque to 75/85 in. lbs.)
3	251893	3	Pin
4	251925	6	Retaining Ring (External)
5	*251923	1	U-cup
6	*305977	1	Warning Decal (For all except P19-PFAFF)
	305977-CE	1	Warning Decal (For P19-PFAFF only)
7	351129	1	Two-speed Piston
8	64886OR9	1	Handle (For P19, P19-CABLE, P19-1200 & P19-WHITE)
	64886BK2	1	Handle (For P19-CMS)
	64886YE3	1	Handle (For P19-FUTURE)
	64886GY6	1	Handle (For P19-PFAFF)
9	11127	1	Pressure Plug (3/8 NPTF)
10	*251965	2	O-ring (2-7/16 x 2-1/4 x 3/32)
11	*250611	1	Backup Washer (1/2 x 3/8 x .049; Assemble with concave surface towards o-ring.)
12	*15279	2	O-ring (1/2 X 3/8 X 1/16)
13	*12557	1	O-ring (11/32 X 7/32 X 1/16)
14	*215075	1	Filter
15	21278	1	Relief Valve Assembly (Set at 10,100/10,700 PSI; For all except P19-CABLE & P19-1200)
	21278-40	1	Relief Valve Assembly (Set at 4,100/4,500 PSI; For P19-CABLE)
	21278-10	1	Relief Valve Assembly (Set at 900/1,000 PSI; For P19-1200)
	21278-15	1	Relief Valve Assembly (Set at 1,500/1,700 PSI; For P19-WHITE)
16	48011	1	Relief Valve Assembly (325 PSI)
17	351148	1	Trade Name Decal (For P19, P19-1200, P19-CABLE, & P19-WHITE)
18	351120	1	Reservoir Tube
19	251889	1	Tie Rod
20	58681	1	Reservoir Cap
21	251903	1	Cap Nut (Torque to 90/110 in. lbs. Fully engage acorn nut onto tie rod before torquing to body.)
22	351245	1	Filler Cap
23	*10274	1	O-ring (7/8 X 11/16 X 3/32)
24	11390	1	Flex Grip Handle
25	253234	1	Decal (Oil Pivot Pins)

PARTS INCLUDED BUT NOT SHOWN

252184 2 Trade Name Decal (For P19-PFAFF only)

Part numbers marked with an asterisk (*) are contained in Repair Kit No. 300894.

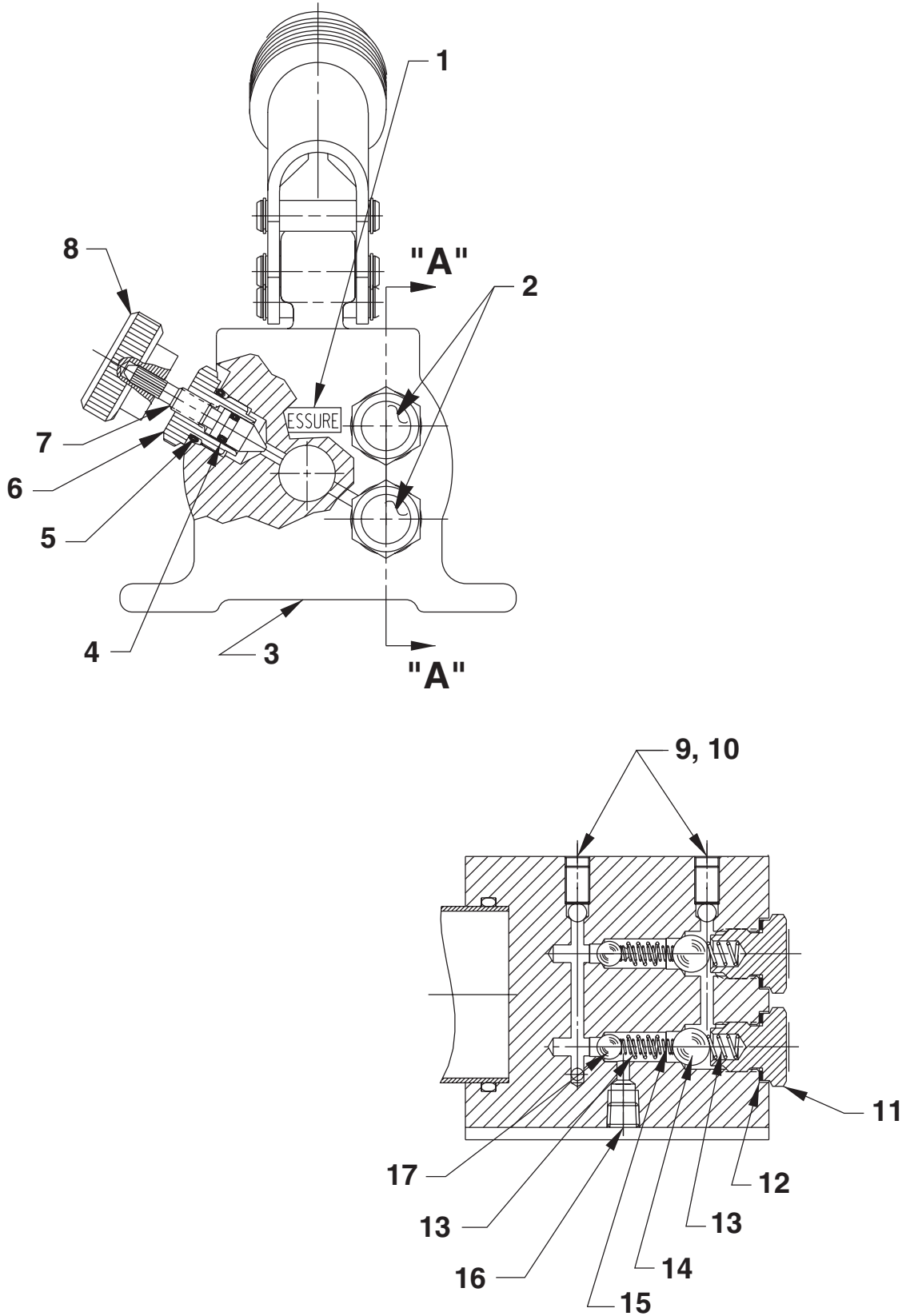
Note: Shaded areas reflect last revision(s) made to this form.

Refer to any operating instructions included with this product for detailed information about operation, testing, disassembly, reassembly, and preventive maintenance.

Items found in this parts list have been carefully tested and selected. **Therefore: Use only genuine Power Team replacement parts!**

Additional questions can be directed to our Technical Services Department.

END VIEW AND SECTION A-A



SECTION A-A

Parts List, Form No. 101640, Back sheet 2 of 2

Item No.	Part No.	No. Req'd	Description
1	215301	1	Pressure Decal
	252247	1	Pressure Decal (German; For P19-PFAFF only)
2	*215907	2	Decal
3	64863	1	Pump Body
4	*10265	1	O-ring (5/16 X 3/16 X 1/16)
5	*10300	1	O-ring (5/8 X 15/32 X 5/64)
6	34871	1	Guide
7	29783	1	Stem
8	29827	1	Knob
9	12223	2	Ball (3/16 Dia.)
10	10519	2	Set Screw (1/4-20 UNC X 3/8 Lg.; Torque to 75/80 in. lbs.)
11	351952	2	Valve Screw (Torque to 480/500 in. lbs.)
12	*14874	2	Soft Copper Washer (.700 X 1/2 X 1/32)
13	*10444	4	Compression Spring (3/16 I.D. X 13/32 Lg.)
14	*10378	2	Steel Ball (3/8 Dia.)
15	*211797	2	Compression Spring (5/32 O.D. X 5/8 Lg.)
16	15130	2	Plug (1/16 NPTF; Apply Loctite #242 or equiv. & torque to 80 in. lbs. below bottom surface of pump body.)
17	*10375	2	Steel Ball (1/4 Dia.)

Part numbers marked with an asterisk (*) are contained in Repair Kit No. 300894.

Note: Removed Valve Screw (#305975) at last revision(s) made to this form.